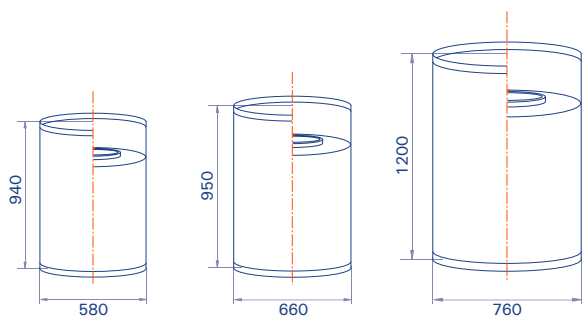
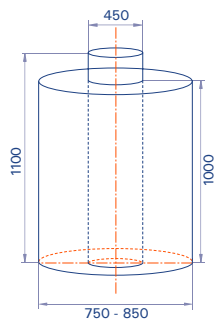


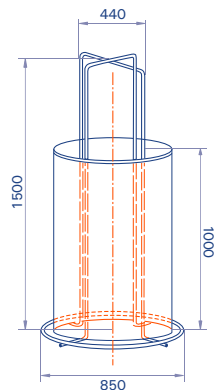
Confezioni FILI RAMATI
Packaging COPPER-COATED WIRES
Verpackung VERKUPFERTER DRAHT



Fusto / Drum / Fass			
Cod.	Diametro Diameter Durchmesser	Altezza Height Höhe	Peso netto Net weight Nettogewicht
TS	580 mm	940 mm	380 Kg
TI	660 mm	950 mm	550 Kg
TR	760 mm	1200 mm	1000 Kg



Matassone / Coil			
Cod.	Diametro Diameter Durchmesser	Altezza Height Höhe	Peso netto Net weight Nettogewicht
HN	850 mm	1000 mm	1000 Kg



Bicocca / Stem frame / Kronenstock			
Cod.	Diametro Diameter Durchmesser	Altezza Height Höhe	Peso netto Net weight Nettogewicht
GF	750 + 850 mm	1500 mm	1000 Kg